



# SaunaFin

Saunas & Steambaths

**PLUS PURE 2.0 (PRE-2023) - TROUBLESHOOTING**

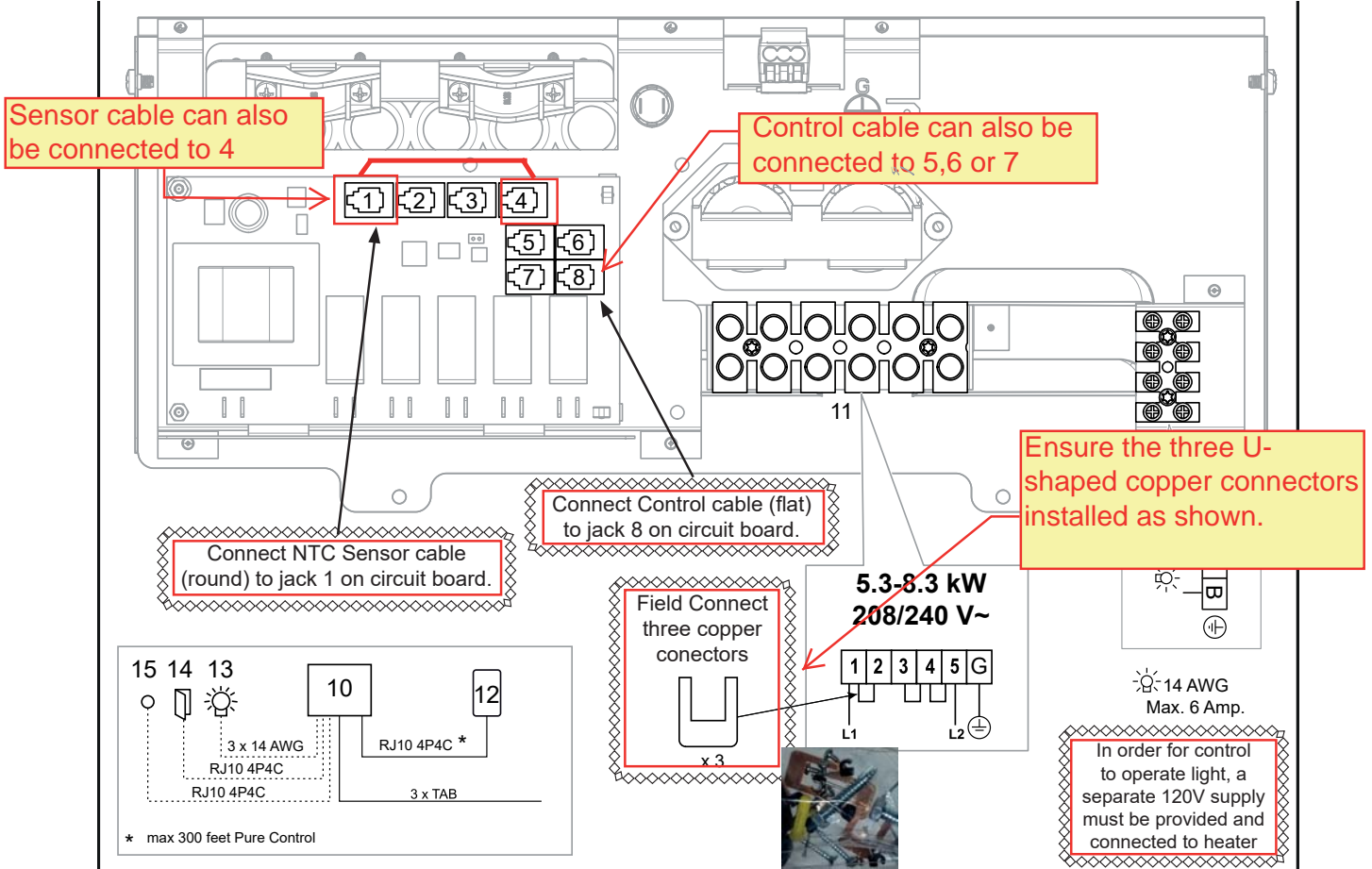
**SENSE PLUS PURE 2.0 Quick-Start Tip Sheet**  
This page to be used in conjunction with Tylo Full Manual included

**CONNECTION/WIRING DIAGRAM**



TAB	208 V 1 Phase			240 V 1 Phase		
Model	Amperage Amps	Output kW	Wire Size AWG	Amperage Amps	Output kW	Wire Size AWG
Sense - U 7	26	5.3	10	30	7.0	8
Sense - U 8	30	6.3	8	35	8.3	8

**Note:** Heating elements do not change for voltage changes. The heater output will change based on the voltage applied to heater. Most North American homes are 240v.



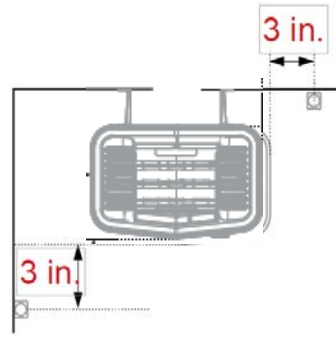
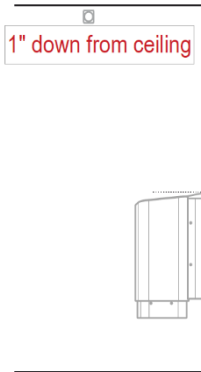
- Figure 19: Wiring diagram**
1. NTC Sensor - Sense Pure. (jack # 1)
  2. External Switch (Optional jack # 2)
  3. Door jumper pre-installed (jack # 3)
  4. N/A
  5. N/A
  6. N/A
  7. N/A
  8. Pure Control (jack # 8)
  9. N/A
  10. Heater
  11. Terminal for connection of electrical cable
  12. Pure Control (jack # 8)
  13. Sensor - Sense Pure (jack # 1)
  14. Light/terminal for connection of light
  15. Door Switch is not required for N. America
  16. External On/Off Switch (option)

**Sensor Installation Tip**

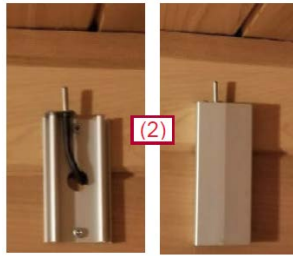
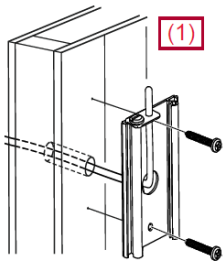
1. (1) If using Sensor Cover, you are supposed to feed the sensor wire through the sensor holder FIRST before running wire inside the wall.
2. (2) Sensor with metal tab is usually installed without cover with one screw through the sensor tab directly to the finished wall.
3. (3) Mount sensor holder close to sensor. Surface mount sensor as show in picture. Install cover to hide sensor wire and any hole made for wire.
4. (4) **DO NOT** install cover on top of sensor after installation. It can affect heat sensitivity and cause heater high limit to trip.

## Temperature Sensor Location

**Sensor location is very specific and very important for proper function of the sauna heater. Sensor must be 3" to the front or open side of heater (not in corner), 1" down from ceiling.**



## Temperature Sensor Installation

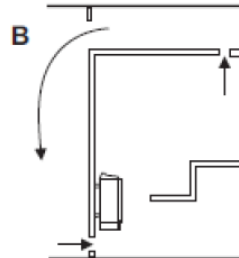
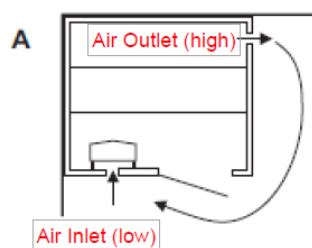
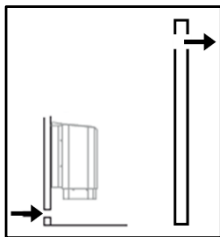


1. Using Sensor Cover: To hide cable inside wall cavity, you must first feed the sensor wire through the sensor holder, then run wire inside the wall, down to area where heater is to be installed.
2. Sensor tip mounts to top of sensor, 1" maximum down from ceiling. Place cover over holder, making sure not to cover sensor itself.
3. Do NOT mount sensor holder on top of sensor after the fact. (This can affect sensor reading and affect sauna operation).
4. Many choose to install bare sensor without holder and cover. Arguably, this is optimal installation as sensor is fully exposed to air temp, not metal (cover) and more accurately reflects air temperature.

## SAUNA VENTILATION

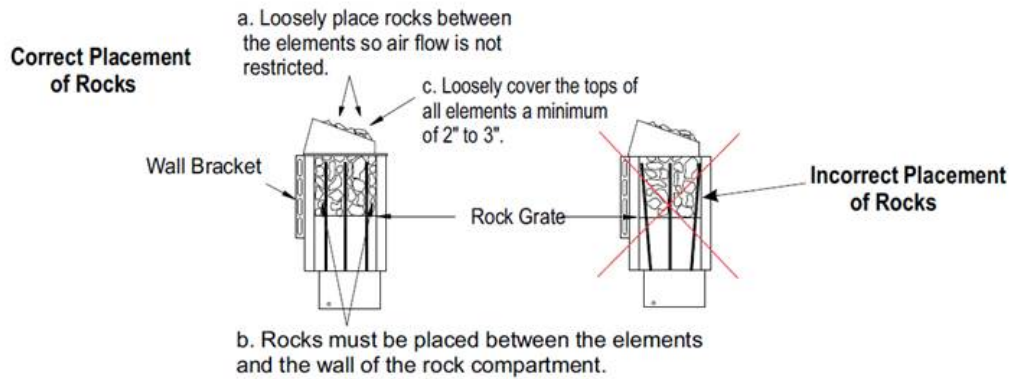
**Indoor Sauna:** Position the air inlet and outlet vents as far away from one another as possible (diagonally opposite). The outlet vent should be located high on a wall (A), and should be about 19" sq. should be directed back into house – it should not be discharged directly to the outside.

If outlet wall is inaccessible, install outlet vent in far corner of ceiling. Duct over drop ceiling to area in front of sauna (B). **Outdoor Saunas:** Outdoors generally have easy access. Some choose to hold off on vents initially and add later if it appears to be necessary. **Do not install inlet and outlet vents on same wall. Bad ventilation can be worse than no ventilation.**





If heater high limit trips, try sauna without rocks.  
 Assuming it does not trip w/o rocks, try the following.  
 After it cools, re-install rocks. Pack flatter and smaller rocks tighter in behind back element and in front of front elements. In middle, stack larger rocks, more loosely.  
 Use smaller at bottom. Do not press in or bend elements.



1. Put smaller rocks in first around the outer perimeter of the heating chamber.
2. Completely fill all four sections (front, 2 center sections between elements, and back).
3. In the outer sections, use smaller rocks placed more tightly (see note b).
4. Place rocks loosely in the center 2 sections (see note a).
5. Be sure rocks completely cover the elements (see note c).
6. Loosely cover the tops of all elements a minimum of 2" to 3".

### PURE 2.0 & ELITE Wi-Fi CONTROL INSTALLATION INSTRUCTIONS

The control panel can be installed inside or outside the sauna room. **If the control is installed inside the room, install no higher than 3' (90 cm) above the floor. No closer than 12" (30 cm) to heater.**

Before applying the control to the wall, connect it to the heater and electrically test everything first.

#### INSTALLATION WITHOUT BRACKET

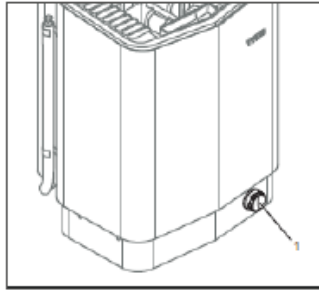
Cut a 1-3/16" (3 cm) hole through the wall big enough for the control panel connector. Clean the surface where the control will be applied to remove all dust. Attach the double-sided adhesive to the control panel. Remove the protective backing from the adhesive and press the control panel firmly to the wall. Silicone sealant can be applied as an extra seal.

#### INSTALLATION WITH BRACKET

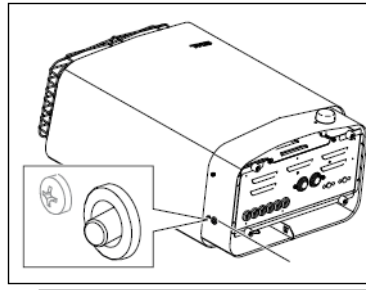
Use the mounting bracket as a template to mark screws holes on the wall. Cut a 1-3/16" (3 cm) hole through the wall big enough for the control panel connector. If control cable to be surface mounted, connector can be fitted in back of mounting bracket. Use adhesive to mount the control to the bracket.



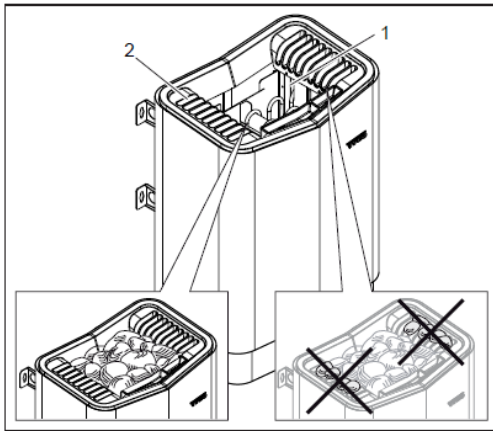
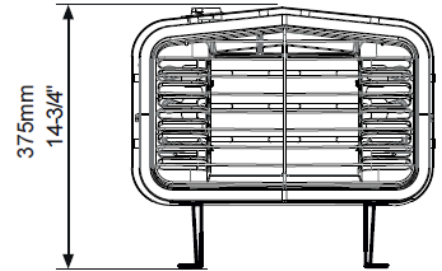
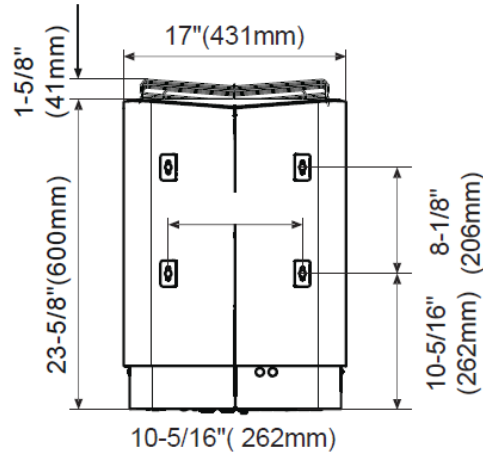
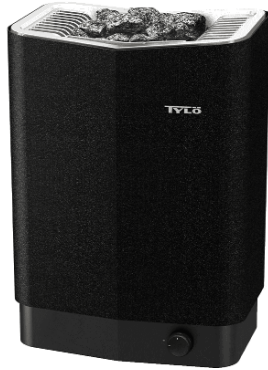
**See Control box for instructions on how to operate control.**



**Main Power Switch:** On/Off Knob comes packed inside rock tray. Field install. Turn knob to turn on heater.



Resetting the temperature cut-out



**Very Important:**

**Clean rocks before use to remove dust.**

**Sauna rocks may only be placed in center (deep) rock compartment (1). Never place stones on top of the side air chambers (2). This will obstruct air circulation, causing the unit to overheat and the cut-out switch to activate.**

**First Use:**

Turn on heater for one hour to “burn off” any new paint or element oils. The water reservoir does not need to be operating. There may be a little smoke initially. This is normal.

**Annually**

**Check stone compartment.**

Remove all stones. Remove all small stones, gravel and lime-scale from rock compartment. Replace damaged stones with new ones as required.



**SaunaFin**

Saunas & Steambaths

**SAUNAFIN SAUNA & STEAM**

106 Rayette Road, Unit 1, Concord, ON, L4K 2G3

**TOLL-FREE**

1-800-387-7029

**PHONE**

905-738-4017

**EMAIL**

[info@saunafin.com](mailto:info@saunafin.com)

**WEB**

[www.saunafin.com](http://www.saunafin.com)